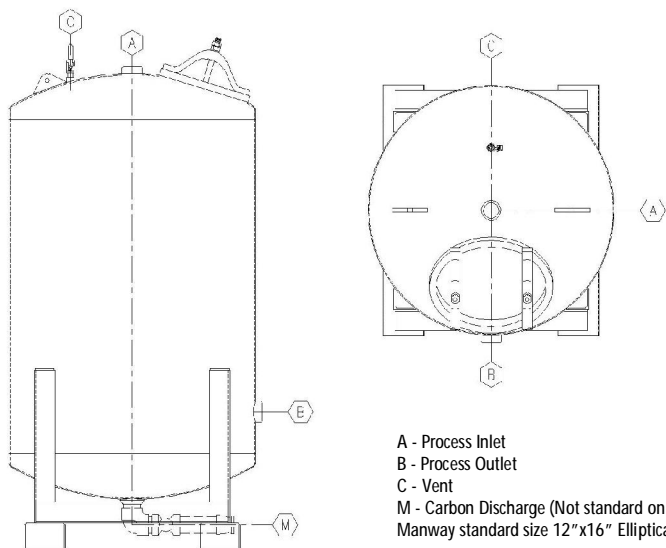


L4 SERIES FILTERS



L4 series filters are designed to treat liquid streams in a wide variety of adsorption applications. The modular design enables the units to easily fit into a wide variety of installations. Standard features include steel construction with epoxy internal coating, efficient internal collector array, forklift skid and lifting eyes.

A wide variety of options and contact medias are available, contact our sales and engineering team to assist in your application.



A - Process Inlet
 B - Process Outlet
 C - Vent
 M - Carbon Discharge (Not standard on all models)
 Manway standard size 12"x16" Elliptical

Standard Model Shown - Detailed Submittal Drawings Available

L4 SERIES STANDARD SPECIFICATIONS

Model Number	L4-30	L4-36	L4-48	L4-60	L4-72	L4-96	L4-120
Overall Height	5'11"	7'2"	8'6"	8'11"	9'11"	10'9"	15'10"
Diameter	30"	36"	48"	60"	72"	96"	120"
Process Connection	2" FNPT	2" FNPT	3" FNPT	3" FNPT	4" FNPT	6" FLNG	8" FLNG
Typical GAC Fill (28#/FT ³)	500 Lbs	1,000 Lbs	2,000 Lbs	3,000 Lbs	5,000 Lbs	10,000 Lbs	20,000 Lbs
Shipping Weight (empty)	350 Lbs	535 Lbs	1,020 Lbs	1,525 Lbs	2,490 Lbs	3,800 Lbs	7,250 Lbs
Operational Weight	1,700 Lbs	3,300 Lbs	6,800 Lbs	10,700 Lbs	17,900 Lbs	31,200 Lbs	68,400 Lbs
Cross Sectional Bed Area	4.9 FT ²	7 FT ²	12.5 FT ²	19.5 FT ²	28 FT ²	50 FT ²	78 FT ²
Available Bed Volume	20 FT ³	35 FT ³	75 FT ³	117 FT ³	196 FT ³	400 FT ³	780 FT ³
Maximum Pressure	75 PSIG	75 PSIG	75 PSIG	75 PSIG	75 PSIG	75 PSIG	75 PSIG
Maximum Vacuum	28" Hg	28" Hg	28" Hg	28" Hg	28" Hg	28" Hg	28" Hg

Adsorbent Solutions, LLC - 7100 St. Gabriel Ave - St. Gabriel, LA 70776 - 225-319-7130

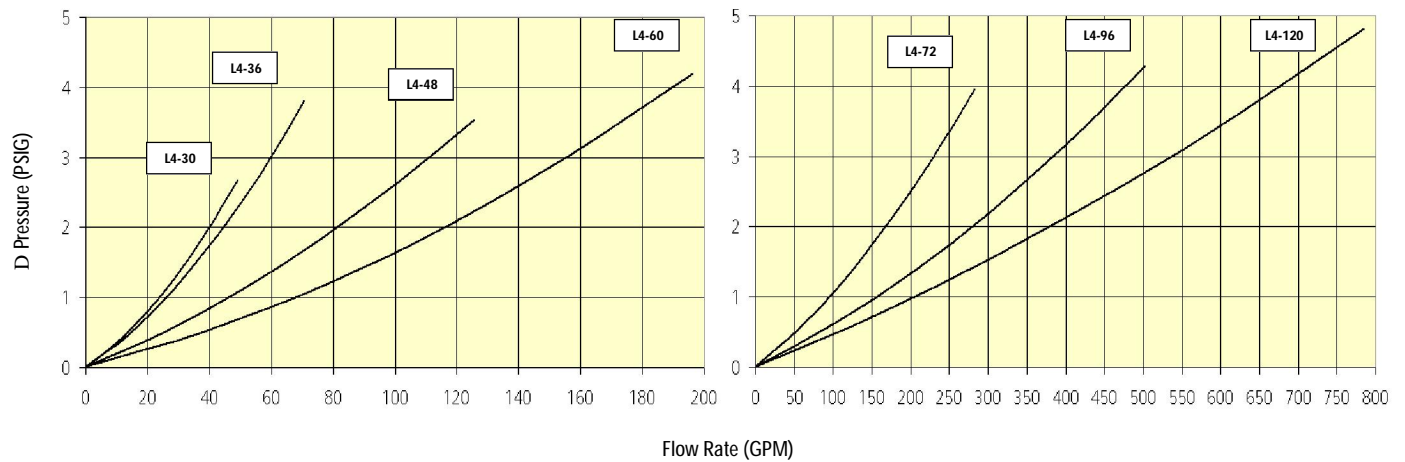


L4 SERIES FILTERS

8x30 BITUMINOUS ACTIVATED CARBON

The following pressure drop graphs can be used for assistance in sizing transfer pump, etc. When utilizing pressure drop graphs it is important to consider the resultant figures represent typical start up conditions for a single unit. Pressure drop is measured from inlet nozzle to discharge nozzle adjusted for weight of column. Many water conditions will cause extreme pressure drop increases over time.

Pressure Drop Graph for L4 Series Vessels



Relationship of Bed Velocity to Contact Time
(Divide desired flow rate in GPM by "Cross Sectional Bed Area" for Bed Velocity)

